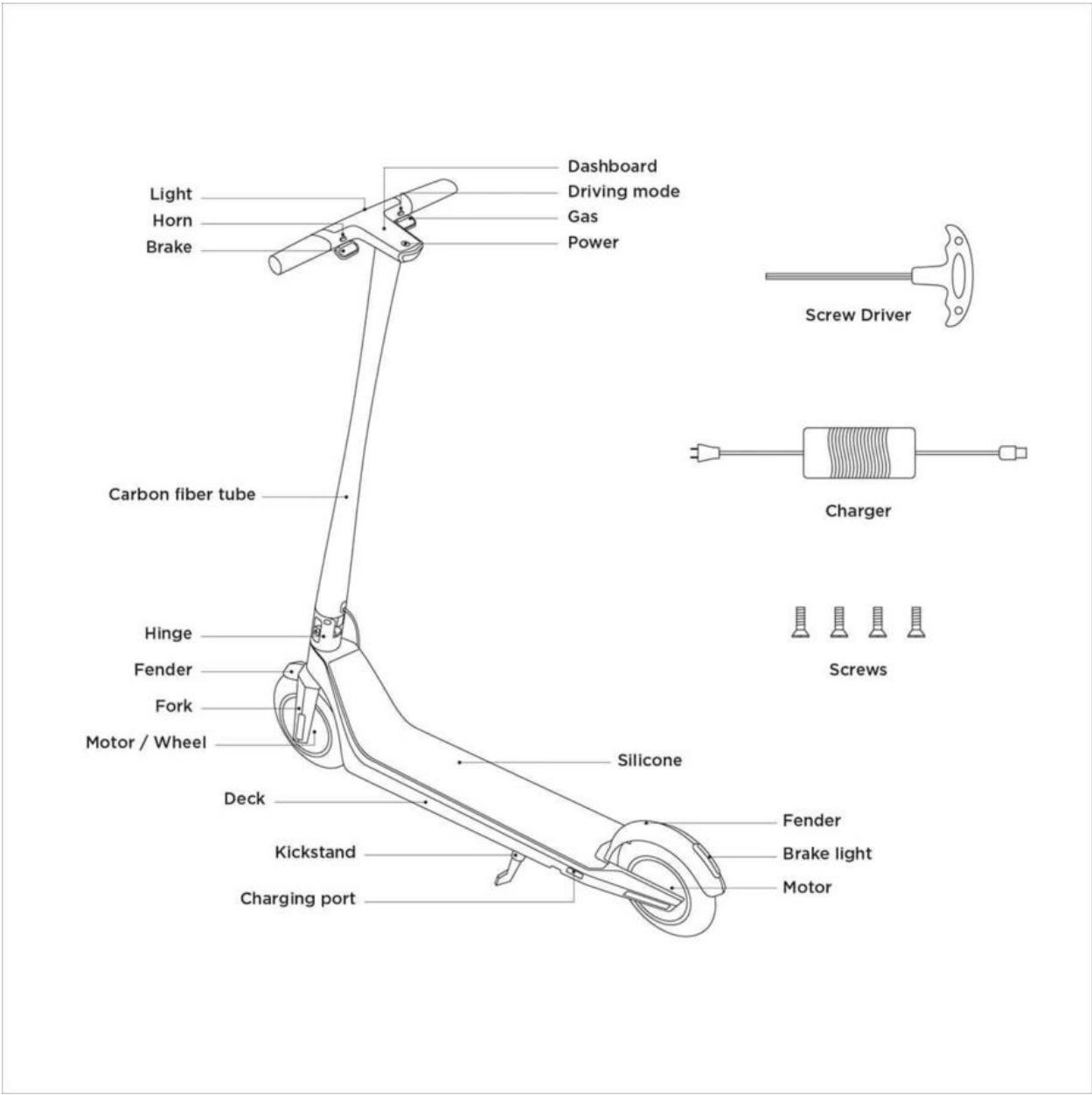
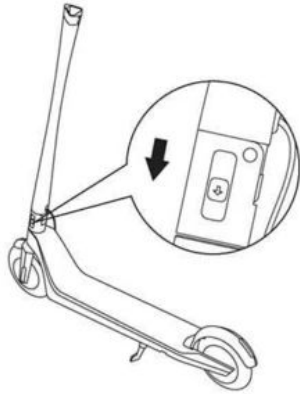


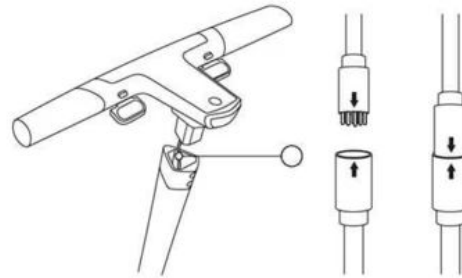
1. Product and Parts



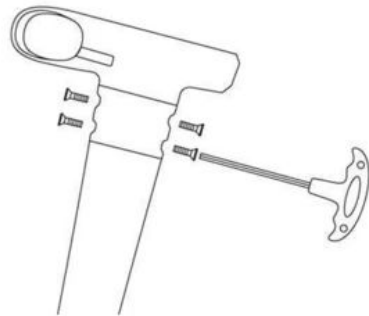
2. Assembly Guide



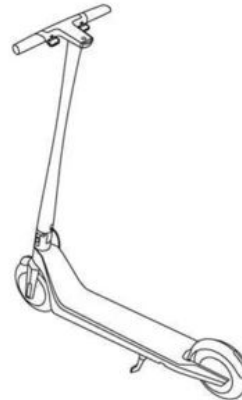
1. Press the hinge button down and fold the stem up.



2. Connect handlebar and tube cable.

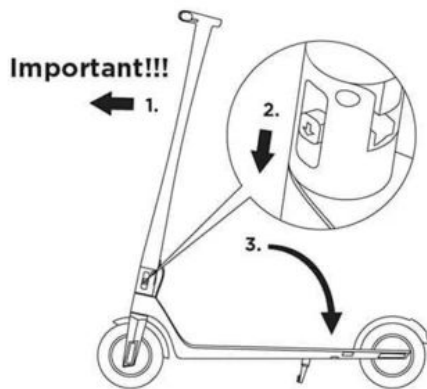


3. Use screwdriver to install handlebar screws.

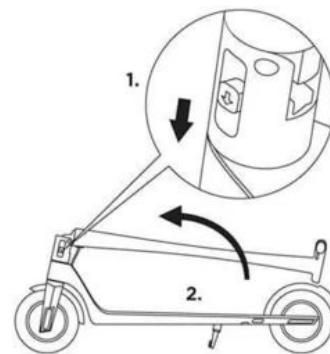


4. Turn power on.

3. Folding & Unfolding

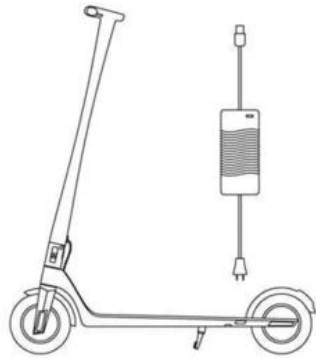


1. Important: Push tube forward slightly.
2. Press hinge button down. **3.** Fold handlebar down.

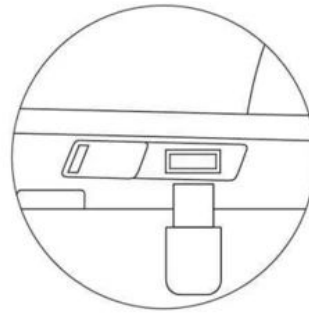


1. Press hinge button down. **2.** Fold handlebar up.

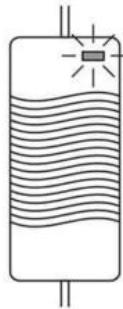
4. Charging



1. Plug in the charger.



2. Open deck cover plug in.

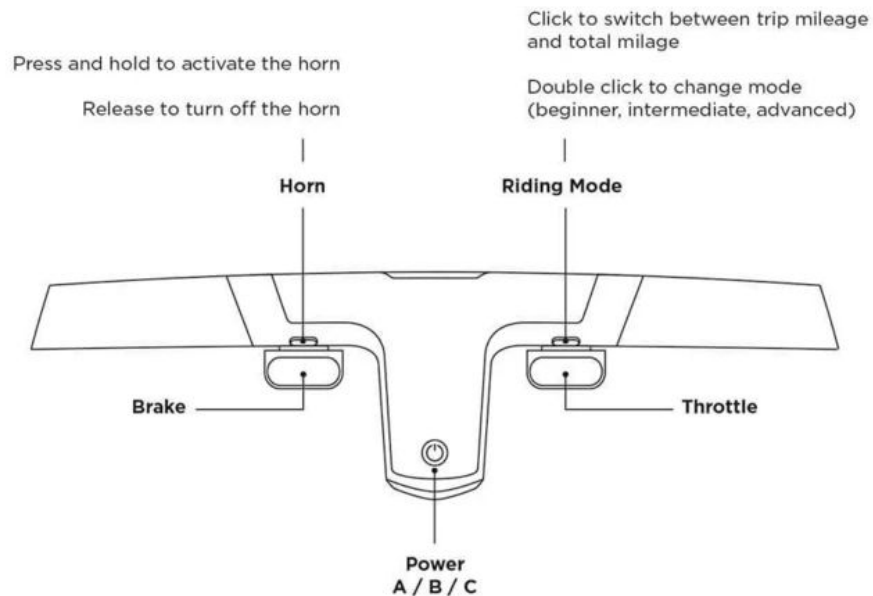


3. Green light indicates full charge.



4. After charging, close deck cover.

5. Handlebar & Button Guide



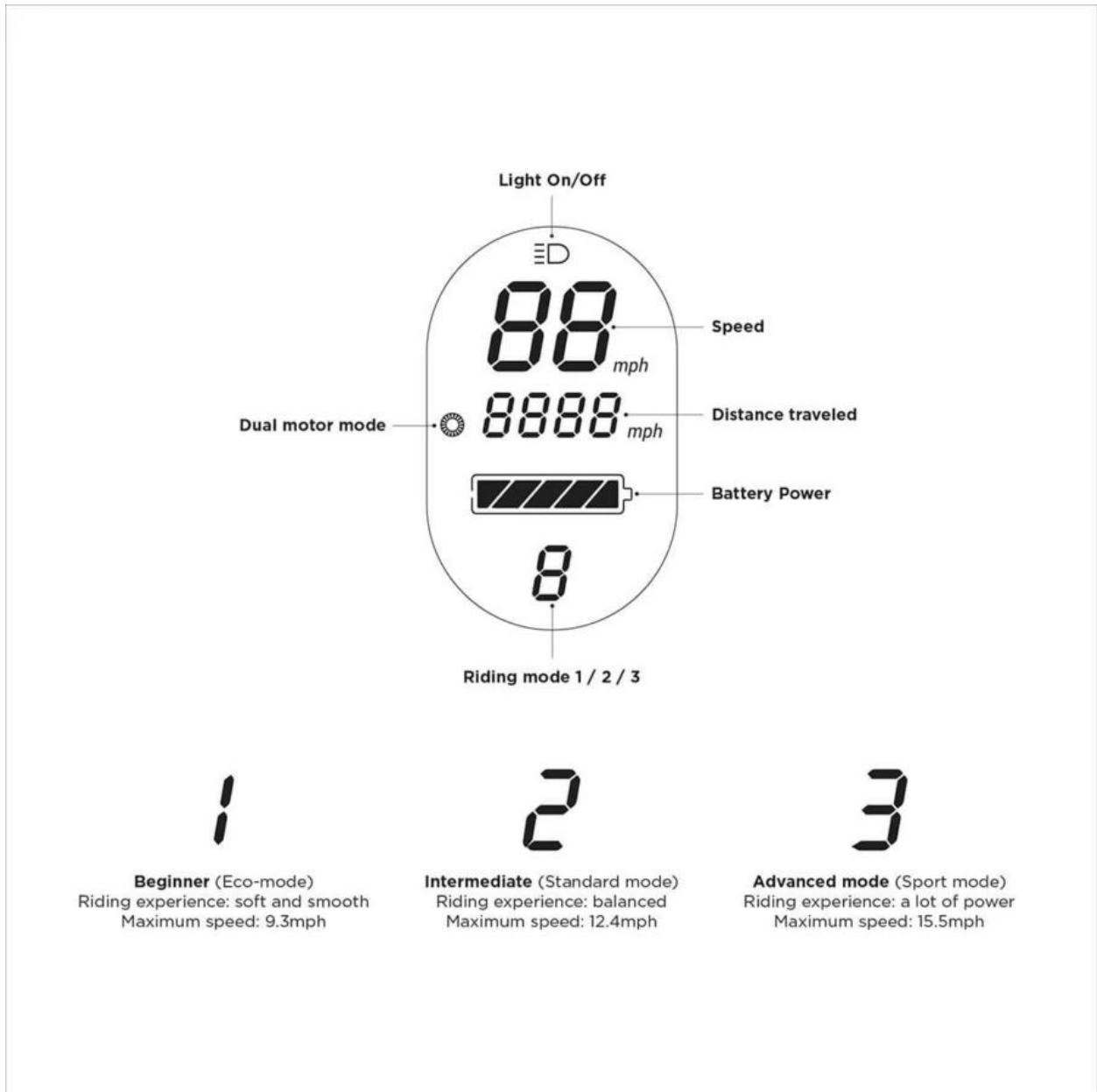
A Power (On/Off): Press and hold for 3 seconds. Motor will automatically turn off after 3 minutes if not in use.

B Light (On/Off): Click to activate or deactivate the light.

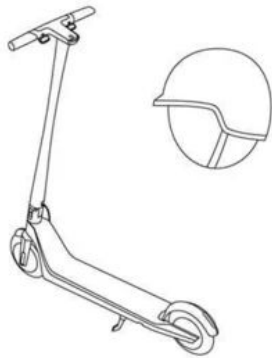
C Single/Dual Motor Mode: Press 2 times to alternate between single/dual motor mode. The dual motor icon will be displayed on screen when activated.

Odometer Mode: Press the Horn button and the Riding mode button for 2 seconds simultaneously to switch between miles and kilometers.

6. Dashboard



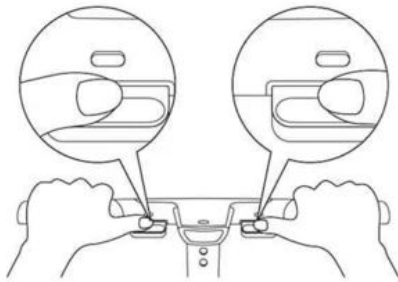
7. Riding Guide



1. Please wear a helmet when riding. Check the dashboard after turning it on. Make sure you are using the beginner mode when you first start to ride.



2. Start your ride on a flat surface, put one leg on the deck the other one on the ground. Kick the ground to start.



3. Put both feet on the deck after the scooter starts moving, and push gas gently. Brake when needed.



4. Slow down when turning, turn you body and handlebar slightly to the same direction you are turning the scooter.